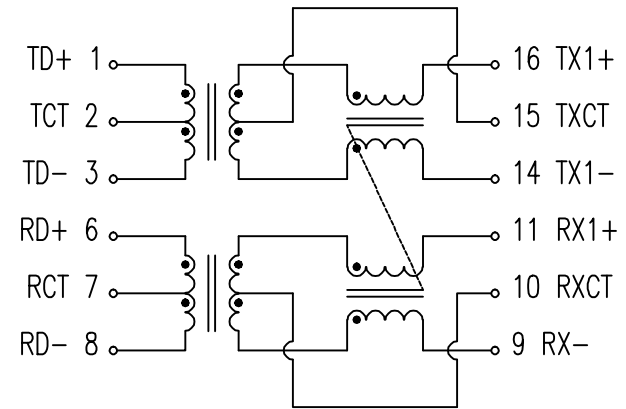


SUGGESTED PAD LAYOUT

UNLESS OTHERWISE SPECIFIED ALL TOLERANCES ARE ±0.25mm



* RoHS COMPLIANT

ELECTRICAL CHARACTERISTICS 25°C:

1. INSULATION HI-POT : 1500Vrms / 1mA / 60Sec.
2. TURN RATIO (±5%) : 1CT : 1CT
3. OCL : 350uH MIN. 8mA/DC Bias
4. CROSS TALK (dB MIN.) : 1-100MHz = -30dB MIN.
5. INSERTION LOSS (1MHz -100MHz) : -1.1dB MAX.
6. RETURN LOSS (dB MIN. @100Ω) :

1-30MHz	40MHz	50MHz	60-80MHz
-18	-14.4	-13.1	-12
7. DIFFERENTIAL TO COMMON MODE REJECTION (dB MIN.) :

1-100MHz	= -30dB MIN.
----------	--------------
8. DCR : 1.2Ω MAX.
9. LEAKAGE INDUCTANCE (@100kHz, 0.1Vrms) : 0.5uH MAX.
10. 350mA Current Capability--It is suitable for IEEE 802.3af
11. OPERATING TEMPERATURE : -40°C~85°C
STORAGE TEMPERATURE : -40°C to +125°C

						AOEM		TITLE 10 /100 BASE-TX FOR PoE TRANSFORMER	
								DWG. NO. ATPL-046TPR	
A	RELEASE	09/26/2018	SHIRLEY	BETTY	BETTY	UNITS: M/M	SAFETY		SHEET 1 of 1
NO:	DESCRIPTION	DATE	BY	CHK	APPD	DATE 09/26/18	P/N:		DRAW SHIRLEY
REVISIONS									